

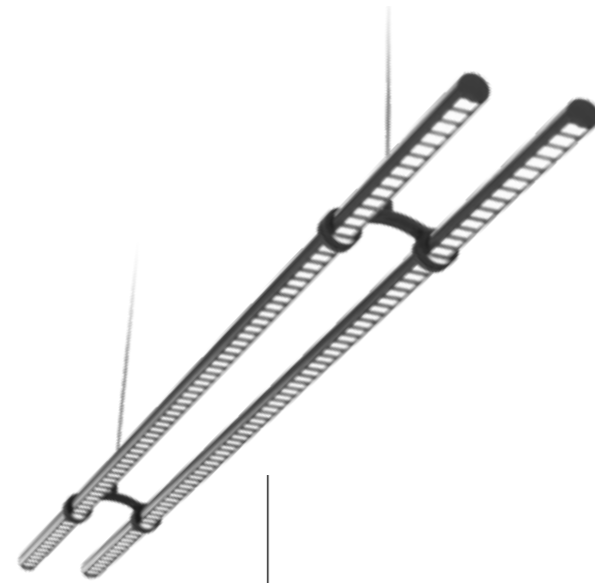
PIPE LINE

ID CODE: 86

PIP LINE is a decorative yet highly technical luminaire for single suspended or ceiling-mounted installation.




A completely innovative product due to its power supply system, with the mechanical rotors allowing the electrical connection to be made without wires.

This enables the architectural light pipes to be freely rotated to create individual light emission, or even staggered to lengthen the line of the fixture according to the application. Freedom in design.









Design
esse-ci

FEATURES

-  Direct/indirect Emission
-  UGR <16; <22
-  IP 40




LED

-  3000K/4000K
-  >115 lm/W; >132 lm/W
-  CRI >90
-  Eye safety: RG0/RG1
-  Mac Adams 3
-  L80/B10 >50.000h

CERTIFICATIONS

-  CE
-  A+
-  5 years warranty

ON REQUEST

-  DALI - RDD code (verify the version)
-  Emergency kit 1/3 hour EM/EM.3h code
-  2700K

Specifications Driver included.

Optic

- PG: Methacrylate satin diffuser for soft emission with UGR<22
- HC: Microcell diffuser UGR <16
- PG-HC: A mix between soft emission and High Contrast accents

Body Spun aluminum with epoxy powder coating.

Colour

- White RAL 9003 wrinkled - Code: W
- Black RAL 9005 wrinkled - Code: BK

SUSPENDED - CEILING

PIPE LINE

SUSPENDED
/CEILING

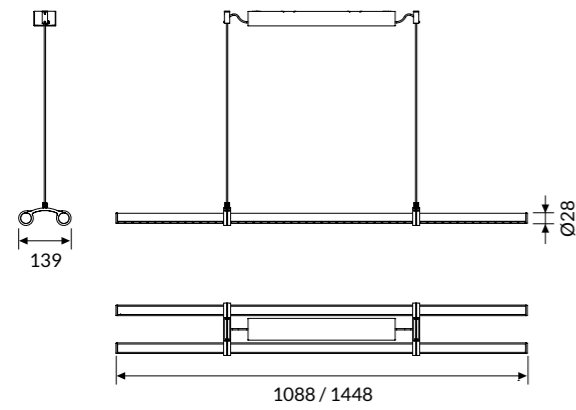


esse-ci

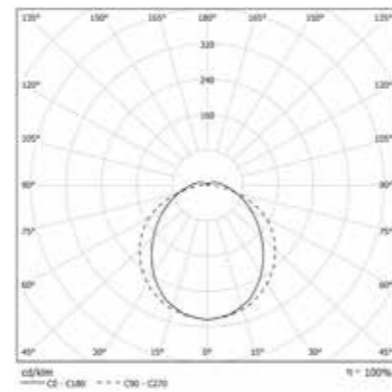
PIPE LINE PG

OPTIC

Methacrylate satin diffuser for soft diffusion with UGR<22.



IP 40 A+

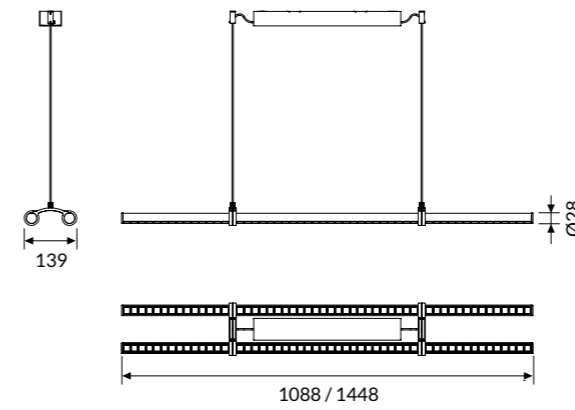


SUSPENDED - CEILING

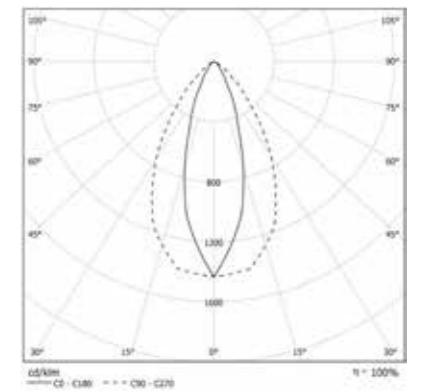
PIPE LINE DK

OPTIC

High Contrast diffuser UGR<16.



IP 40 A+



PIPE LINE

SUSPENDED / CEILING

COLOUR TEMPERATURE

4000K

COD	💡	lm	mm
86PG48L490	48W	6354	1088
86PG62L490	62W	8184	1448

3000K

COD	💡	lm	mm
86PG48L390	48W	5845	1088
86PG62L390	62W	7529	1448

COLOUR TEMPERATURE

4000K

COD	💡	lm	mm
86DK48L490	48W	5538	1088
86DK62L490	62W	7149	1448

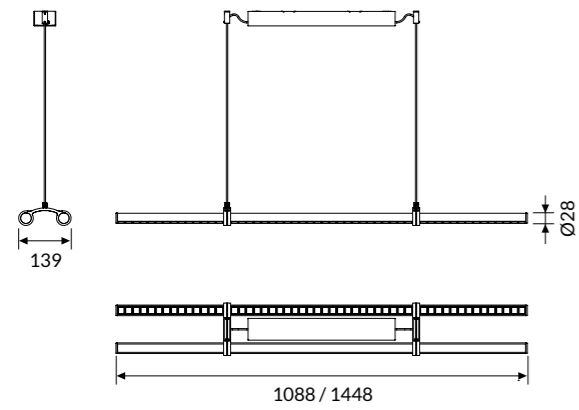
3000K

COD	💡	lm	mm
86DK48L390	48W	5150	1088
86DK62L390	62W	6648	1448

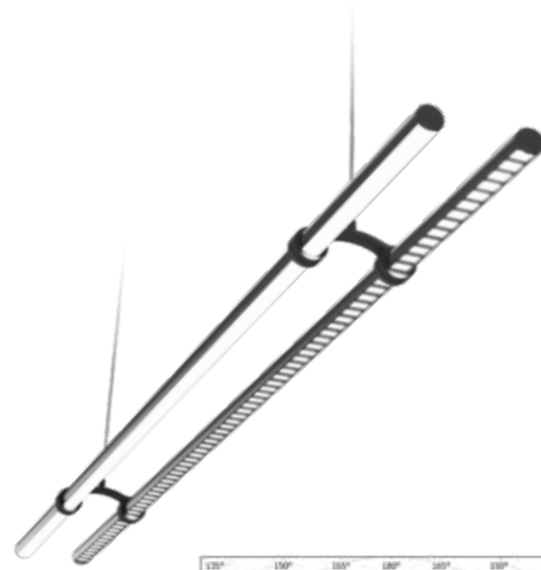
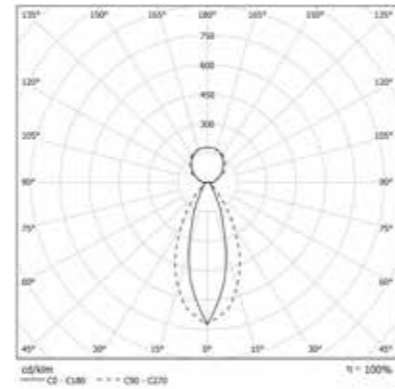
PIPE LINE PG-DK

OPTIC

A mix between soft emission and High Contrast accents.



IP40 A+



COLOUR TEMPERATURE

4000K

COD	💡	lm	mm
86DKD48L490	48W	5946	1088
86DKD62L490	62W	7667	1448

3000K

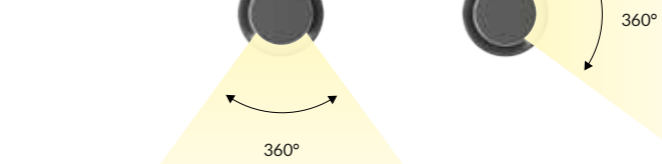
COD	💡	lm	mm
86DKD48L390	48W	5497	1088
86DKD62L390	62W	7088	1448

Technical Note

POSSIBLE MOVEMENTS:



ROTATING



ELECTRICAL CONTACT POINTS:

Electrical contacts for the translation

Brush contacts for the rotation

